



# C&D TRUE FRONT ACCESS TEL12-145FW



## THE MOMENT OF TRUTH HAS ARRIVED

- TRUE** Performance - Proven out of box capacity ratings at installation
- TRUE** Front Access Terminals - ensuring reliability & connection versatility
- TRUE** High Energy Density - highest true energy density solution in the market
- TRUE** Long Life Design - Telcordia SR-4228 industry leading 13 year service life

### PRODUCT LINE EXTENSION TO C&D TEL VALVE REGULATED LEAD ACID (VRLA) BATTERY SERIES

#### FEATURES & BENEFITS

#### APPLICATIONS

- Wireline
- Wireless
- Customer Premise / PBX
- Broadband
- Microwave Repeater
- Fiber Optic Regen Sites

#### INDOOR/OUTDOOR INSTALLATIONS

- Cabinet Systems
- Rack Systems

- Long life alloy and design Telcordia certified exceeding 13 years service life
- Tested and qualified by Telcordia to meet SR-4228 requirements
- True Front Access threaded copper alloy inserts for reduced maintenance and increased safety
- Terminal versatility - ease of diagnostic readings with Ohmic Ring®
- Reduced headspace driving higher energy density, in cabinet or rack applications
- Removable handles for ease of installation
- Innovative front terminal design maximizing energy density with direct connect extrusion fusion weld technology
- Thermally welded case-to-cover bond to ensure a leak-proof seal
- Flame-retardant polypropylene case and cover compliant with UL94 V-O with an Oxygen Limiting Index of greater than 28
- Absorbent Glass Mat (AGM) technology for 99% plus efficient gas recombination
- Flame-arresting, one-way pressure-relief vent for safety and long life
- Complies with UL1778, 924, 1989 and 94 V-O. BS6290PT4, IEC-896-2
- UL-recognized component
- Multicell design for ease of installation and maintenance
- Fits many popular OEM cabinets
- Not restricted for air transport - Complies with IATA/ICAO Special Provision A67
- Not restricted for surface transport - classified as non-hazardous material as related to DOT-CFR Title 49 parts 17 1-189
- Not restricted for water transport - classified as non-hazardous material per Amendment 27

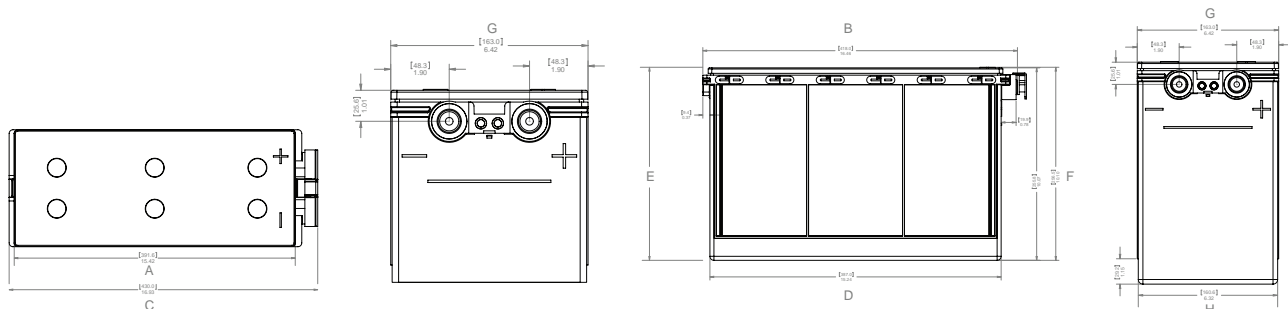
Ampere Hour Capacity to 1.75 Volts per Cell @ 77°F (25°C)  
Discharge in Hours

Model	1	2	3	4	5	8	10	12	20	24
TEL12-145FW	93.9	105.2	117.6	122.4	131.5	144.8	148	151.2	158.8	160.8

## SPECIFICATIONS

Battery	Voltage Per Unit	Ampere Hour Capacity 8 Hour Rate @ 77°F (25°C) to 1.75 v/c	Ampere Hour Capacity 10 Hour Rate @ 68°F (20°C) to 1.80 v/c	Maximum Discharge Current	Short Circuit Current	Ohms Impedance 60 Hz ( )	Battery Weight
TEL12-145FW	12 V	145 Ah	143 Ah	800 Amperes	5800 Amperes	0.0026 Ohms	105 lbs/48 kg

<b>Operating Temperature Range with temperature compensation</b>	Discharge: -40°F (-40°C) to +160°F (71°C) Charge: -10°F (-23°C) to +140°F (60°C)
<b>Nominal Operating Temperature Range</b>	+74°F (23°C) to +80°F (27°C)
<b>Recommended Maximum Charging Current Limit</b>	C <sub>20</sub> /5 Amperes (31.8A)
<b>Float Charging Voltage</b>	13.5 to 13.8 VDC average per 12V unit
<b>Maximum AC Ripple (Charger)</b>	0.5% RMS or 1.5% P-P of float charge voltage recommended for best results. Maximum AC ripple voltage allowed = 1.4% RMS (4% P-P) Maximum AC ripple allowed = 7.94 amperes RMS (C <sub>20</sub> /20)
<b>Self Discharge</b>	Battery can be stored up to 6 months at 77°F (25°C) before a freshening charge is required. Batteries stored at temperatures greater than 77°F (25°C) will require recharge sooner than batteries stored at lower temperatures. See C&D bulletin 41-7272, Self-Discharge and Inventory Control for details.
<b>Equalize charge and cycle service voltage</b>	14.40 to 14.80 VDC average per 12V unit @ 77°F (25°C)
<b>Terminal: Inserted - Inter-unit connector and hardware provided</b>	Threaded copper alloy insert terminal to accept M6 bolt
<b>Terminal Hardware Torque</b>	110 in.-lbs. (12.4 N-m)



MODEL	A		B		C		D		E		F		G		H	
	in	mm	in	mm	in	mm	in	mm	in	mm	in	mm	in	mm	in	mm
TEL12-145FW	15.4	391	16.5	418	16.9	430	15.2	387	9.7	247	10.1	257	6.4	163	6.3	161

\* All dimensions in inches and (millimeters). All dimensions are for reference only. Contact a C&D Representative for complete dimensions information.

## CONSTANT CURRENT RATINGS - AMPERES @ 77°F (25°C)

Operating Time (hours)

Volts Per Cell	1	3	5	8	10	12	20	24
1.75	93.6	40.6	26.6	18.1	15	12.8	8.1	6.8
1.80	89.3	39.8	26.3	17.9	14.9	12.6	8	6.8
1.85	82.6	37.9	25.4	17.4	14.5	12.4	7.9	6.7
1.88	76.3	35.8	24.1	16.4	13.7	11.7	7.4	6.3
1.90	71.5	33.9	22.9	15.7	13.1	11.2	7.2	6.1

Additional ratings and application information is available in the Battery Selection Program at [www.cdstandbypower.net](http://www.cdstandbypower.net)

## C&D TECHNOLOGIES, INC.

1400 Union Meeting Road  
P.O. Box 3053 • Blue Bell, PA19422-0858  
(215) 619-2700 • Fax (215) 619-7899 • (800) 543-8630  
[customersvc@cdtechno.com](mailto:customersvc@cdtechno.com)  
[www.cdtechno.com](http://www.cdtechno.com)

Any data, descriptions or specifications presented herein are subject to revision by C&D Technologies, Inc. without notice. While such information is believed to be accurate as indicated herein, C&D Technologies, Inc. makes no warranty and hereby disclaims all warranties, express or implied, with regard to the accuracy or completeness of such information. Further, because the product(s) featured herein may be used under conditions beyond its control, C&D Technologies, Inc. hereby disclaims all warranties, either express or implied, concerning the fitness or suitability of such product(s) for any particular use or in any specific application or arising from any course of dealing or usage of trade. The user is solely responsible for determining the suitability of the product(s) featured herein for user's intended purpose and in user's specific application.

Copyright 2012 C&D TECHNOLOGIES, INC. Printed in U.S.A. 12-1083 0512/CD