

DEEP CYCLE SERIES



DCS-33H/DCS-33

**VALVE REGULATED LEAD ACID BATTERY
FOR DEEP CYCLE MOBILITY APPLICATIONS**
12V 29AH @ 5 HR RATE
12V 33AH @ 20 HR RATE

APPLICATIONS

- Cycling Applications
- Mobility Markets
- Medical
- Elevator
- Electric Wheelchair
- Electric Bikes

FEATURES & BENEFITS

- Robust plate for extended cycle life.
- Computer-generated grid design optimized for high power density.
- Low calcium grid alloy for reduced gas emissions and ease of recycling.
- Flame-arresting one-way pressure-relief vent for safety and long life.
- UL-recognized component.
- Multicell design for economy of installation and maintenance.
- Case and cover available in standard polypropylene.
- Thermally welded case-to-cover bond to eliminate leakage.
- Removeable carrying handles.
- Can be used in any orientation. Upright, side, or end mounting recommended.
- Absorbent Glass Mat (AGM) technology for efficient gas recombination of up to 99% and freedom from electrolyte maintenance.
- Not restricted for air transport - Complies with IATA/ICAO Special Provision A67.
- Not restricted for surface transport - classified as non-hazardous material as related to DOT-CFR Title 49 parts 171-189.
- Not restricted for water transport - classified as non-hazardous material per IMDG Amendment 27.

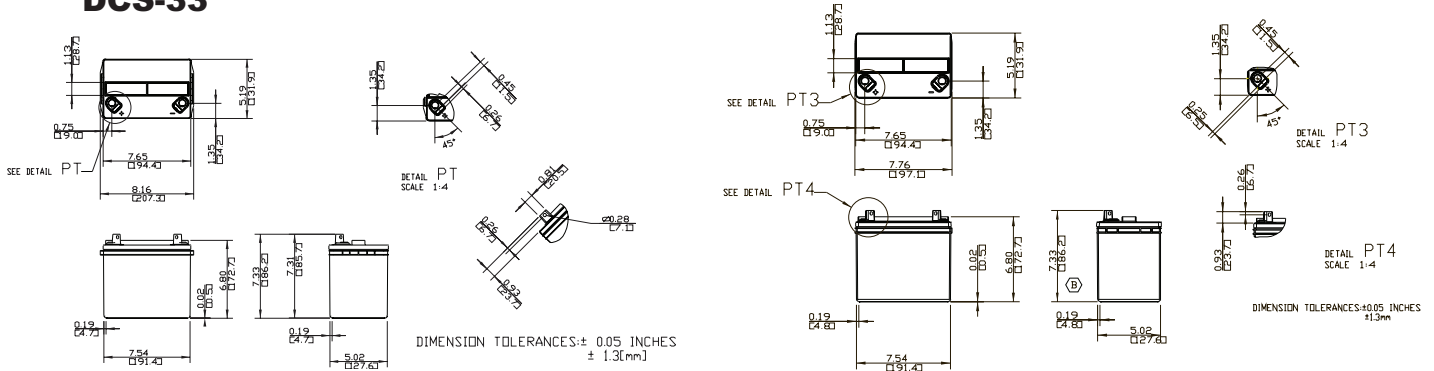
12 Volts - 33 Ampere Hour Capacity @ 20 Hour Rate

Discharge in Hours	1	2	3	4	5	6	7	8	10	12	20	24	72	100
Amp-Hr Capacity	19.7	23.6	26.1	28.0	29.0	29.6	30.1	30.4	31.1	31.7	33.0	33.1	33.8	34.0

DCS-33 - Specifications

Cells Per Unit	Voltage Per Unit	Weight	Maximum Discharge Current	Short Circuit Current	Ohms Imped. 60 Hz (Ω)
6	12	27 lbs. (12 kg)	600 Amps	2150 Amps @ 0.1 sec	0.0070 Ohms

DCS-33



* All dimensions in inches and (millimeters). All dimensions are for reference only. Contact a C&D Representative for complete dimensional information.

Capacity	29.0 Ah @ 5 hr. rate to 1.75 volts per cell @ 77°F (25°C) 33.0 Ah @ 20 hr. rate to 1.75 volts per cell @ 77°F (25°C) 28.5 Ah @ 10 hr. rate to 1.80 volts per cell @ 20°C (68°F)
Operating Temperature Range	Discharge; -40°F (-40°C) to + 160°F (71°C), Charge; -10°F (-23°C) to+ 140°F (60°C) with temperature compensation
Recommended Operating Temperature Range	+ 74°F (23°C) to +80°F (27°C)
Float Charging Voltage	13.5 to 13.8 VDC/unit Average at 77°F (25°C)
Recommended Maximum Charging Current Limit	C/5 amperes (6.6 amperes @ 100% depth of discharge) @ 20 hour rate
Equalization and Cycle Service Charging Voltage	14.4 to 14.8 VDC/unit Average at 77°F (25°C).
Maximum AC Ripple (Charger)	0.5 % RMS or 1.5% P-P of float charge voltage recommended for best results. Maximum AC ripple float charge voltage allowed = (4% P-P) Maximum AC ripple current allowed = 1.65 amperes RMS (C/20)
Self Discharge	Dynasty batteries may be stored for up to 6 months at 77°F (25°C) and then a freshening charge is required. For higher temperatures the time interval will be shorter.
Accessories	Inter unit connectors, and racks are available.
Terminal	"L" terminal with 0.28" clearance hole to accept 0.25" (6mm) bolt.
Terminal Hardware Initial Torque	40 in.-lbs. (4.5-m).
Terminal Hardware Annual Retorque	32 in.-lbs. (3.48-m).

Constant Current Discharge Ratings - Amperes @ 77°F (25°C)

Operating Time to End Point Voltage (in hours)

End Point Volts/Cell	1	2	3	4	5	6	7	8	10	12	20	24	72	100
1.90	15.9	9.83	7.30	5.80	4.80	4.16	3.65	3.25	2.67	2.27	1.42	1.19	0.42	0.30
1.85	17.4	10.5	7.71	6.15	5.14	4.40	3.85	3.43	2.84	2.41	1.52	1.28	0.44	0.32
1.80	18.4	11.1	8.10	6.49	5.40	4.60	4.02	3.57	2.91	2.47	1.57	1.34	0.46	0.34
1.75	19.7	11.8	8.70	7.00	5.80	4.93	4.30	3.80	3.11	2.64	1.64	1.38	0.47	0.34

C&D TECHNOLOGIES, INC.

1400 Union Meeting Road
P.O. Box 3053 • Blue Bell, PA 19422-0858
(215) 619-2700 • Fax (215) 619-7899 • (800) 543-8630
customersvc@cdtechno.com
www.cdtechno.com

Any data, descriptions or specifications presented herein are subject to revision by C&D Technologies, Inc. without notice. While such information is believed to be accurate as indicated herein, C&D Technologies, Inc. makes no warranty and hereby disclaims all warranties, express or implied, with regard to the accuracy or completeness of such information. Further, because the product(s) featured herein may be used under conditions beyond its control, C&D Technologies, Inc. hereby disclaims all warranties, either express or implied, concerning the fitness or suitability of such product(s) for any particular use or in any specific application or arising from any course of dealing or usage of trade. The user is solely responsible for determining the suitability of the product(s) featured herein for user's intended purpose and in user's specific application.